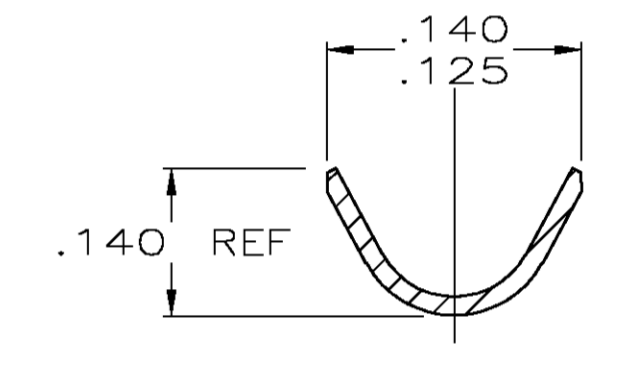
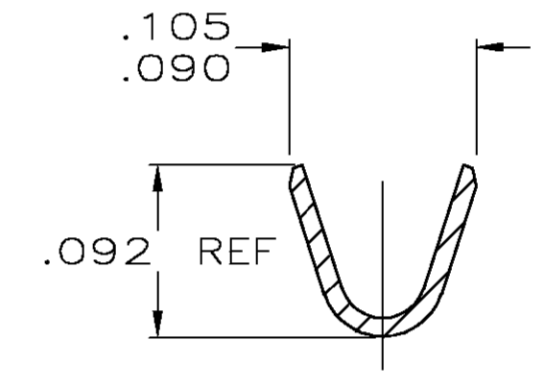
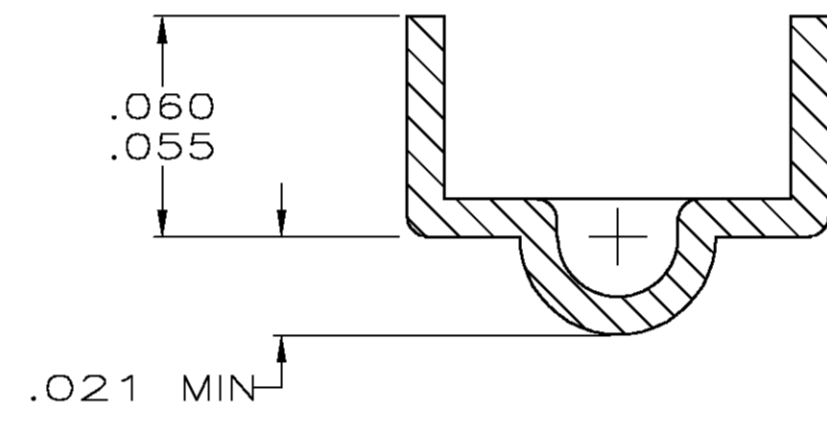


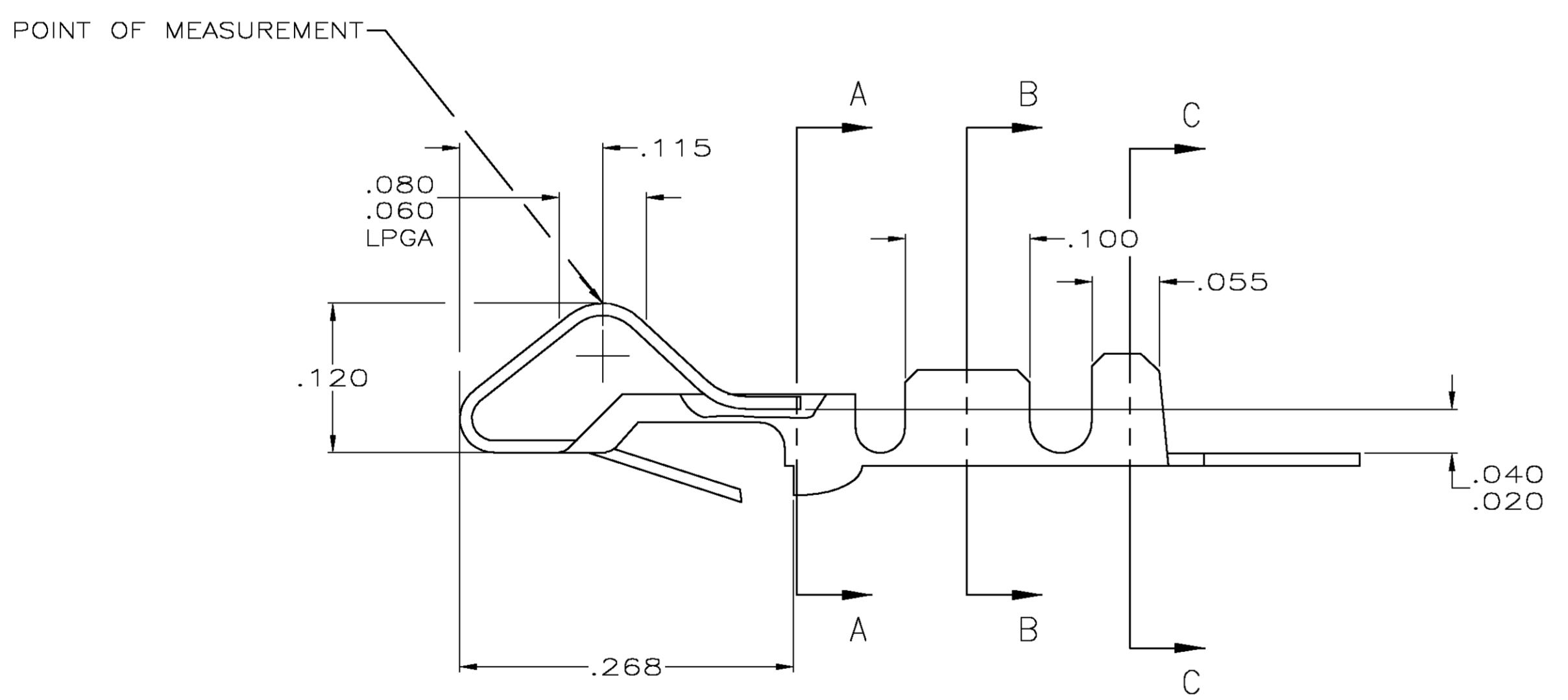
- 1 .000080 - .000200 TIN OVER .000050 MIN NICKEL
- 2 INSULATION RANGE: .100 DIA MAX.  
WIRE RANGE :24-18 AWG (0.02 - 0.9 MM<sup>2</sup>).
- 3 .000080 - .000200 TIN-LEAD OVER .000050 MIN NICKEL
- 4 .000050 NICKEL OVERALL WITH .000030 MIN GOLD IN THE LOCALIZED GOLD PLATE AREA (LGPA).



SECTION A-A  
SCALE 20:1

SECTION B-B

SECTION C-C



-	1	.012 BRASS	3-61668-1
-	4	.012 PH BRZ	61668-4
-	PRE-TIN	.012 PH BRZ	61668-2
-	3	.012 BRASS	61668-1
NOTES	FINISH	MATERIAL	PART NO.

THIS DRAWING IS A CONTROLLED DOCUMENT.

DW: S. CARPENTER	21AUG2003	 Tyco Electronics Corporation Harrisburg, PA 17105
CHK: J. ELLIS	21AUG2003	
APVD: J. ELLIS	21AUG2003	NAME: CONTACT, BIFURCATED LEAF
DIMENSIONS: INCHES	TOLERANCES UNLESS OTHERWISE SPECIFIED:	APPLICATION SPEC
0 PLC ±	1 PLC ±	SIZE: A1
2 PLC ±	3 PLC ± .005	CAGE CODE: C=61668
4 PLC ±	ANGLES ±	DRAWING NO: 00779
FINISH: SEE TABLE	WEIGHT: SEE TABLE	RESTRICTED TO: -
MATERIAL: SEE TABLE	CUSTOMER DRAWING	SCALE: 10:1
		SHEET: 1 OF 1
		REV: AS